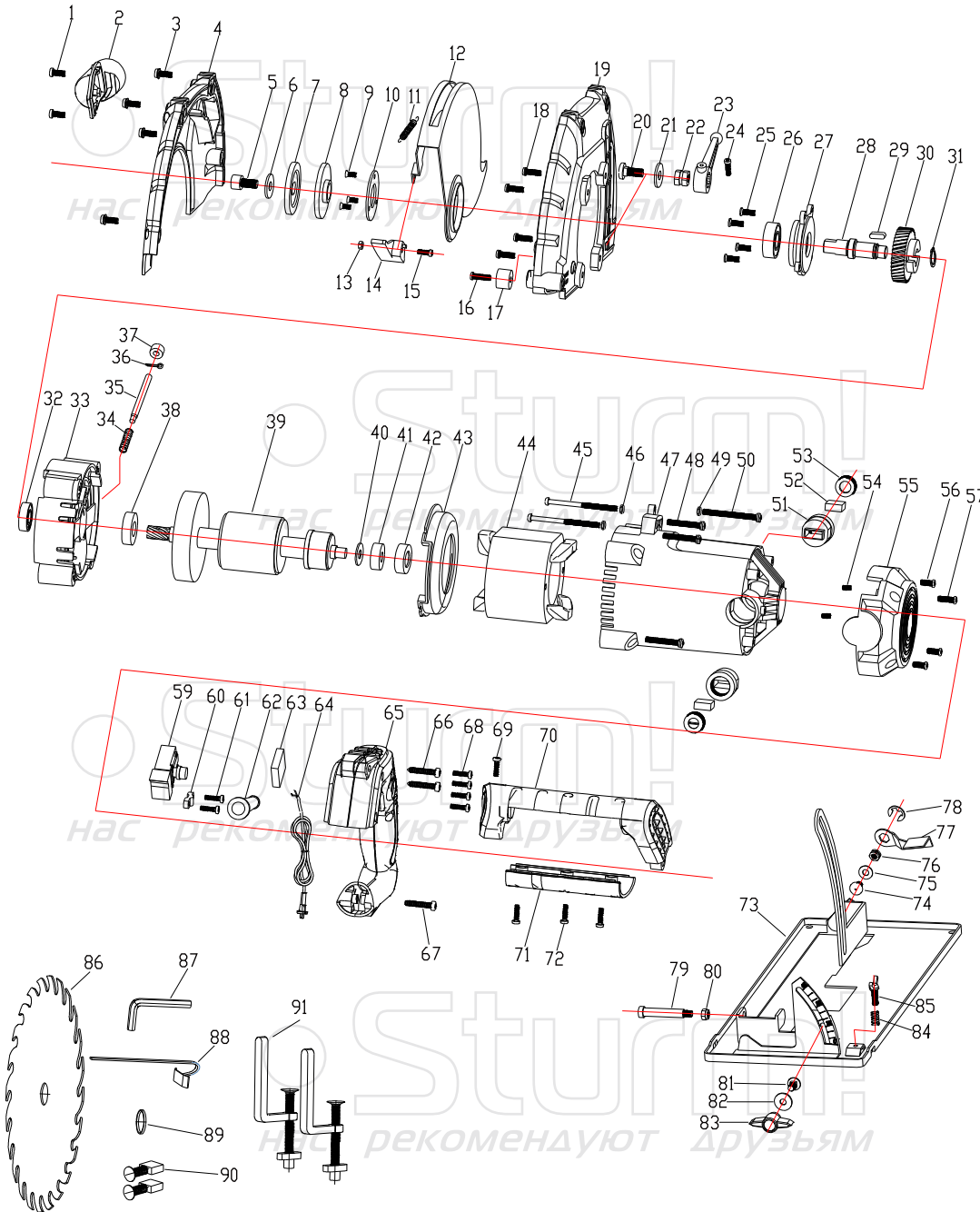


CS50235



NO.	DESCRIPTION	NO.	DESCRIPTION
1	SCREW 4*12	46	SPRING PAD
2	DUST OUTLET	47	HOUSING
3	SCREW 4*16	48	SCREW 5*35
4	ALUMINUM FRONT COVER	49	SPRING PAD
5	SCREW 8*20	50	SCREW 5*55
6	GASKET	51	BRUSH HOLDER
7	UPPER PRESSING PLATE	52	CARBON BRUSH
8	LOWER PRESSING PLATE	53	BRUSH CAP
9	SCREW 4*10	54	SCREW 4*8
10	BEARING COVER	55	BACK COVER
11	COVER SPRING	56	SCREW 5*12
12	BLADE COVER	57	SCREW 5*16
13	NUT M14	59	SWITCH
14	SELF-LOCK BUTTON	60	CRIMPING PLATE
15	SCREW 4*12	61	SCREW 4*14
16	SCREW 5*20	62	CABLE SLEEVE
17	RUBBER COLUMN	63	CAPACITOR
18	SCREW 5*16	64	CABLE(WITH GROUND WIRE)
19	SIDE COVER	65	SWITCH HANDLE COVER
20	SCREW 8*30	66	SCREW 5*30
21	SHIM	67	SCREW 5*22
22	NUT M8	68	SCREW 5*20
23	PLASTIC PUSH BUTTON	69	SCREW 5*16
24	SCREW 4*14	70	AUXILIARY HANDLE
25	SCREW 5*14	71	AUXILIARY HANDLE COVER
26	BEARING 6202	72	SCREW 4*14
27	FRONT COVER	73	BASEBOARD
28	OUTPUT SPINDLE	74	SCREW 6*12
29	SCREW 5*5*16	75	SHIM
30	BIG GEAR	76	NUT M6
31	OUTER CIRCLIP	77	IRON WRENCH
32	BEARING 6001	78	OPEN CIRCLIP
33	GEAR BOX	79	LIMIT SCREW
34	SELF-LOCK SPRING	80	LOCKNUT M6
35	SELF-LOCK PIN	81	SCREW 6*12
36	THUMB LOCK	82	SHIM
37	SELF-LOCK CAP	83	PLASTIC ADJUSTING SCREW
38	BEARING 6002	84	SPRING
39	ARMATURE	85	BUTTERFLY SCREW 6*20
40	SHIM	86	SAW BLADE
41	BEARING 6000	87	SPANNER
42	BEARING SLEEVE	88	GUIDE RULER
43	WIND SHIELD	89	ADAPTER RING
44	STATOR	90	CARBON BRUSH
45	SCREW 5*70	91	INVERSE CLAMP